

THIS DRAWING IS UNPUBLISHED.

RELEASED FOR PUBLICATION NOV ,2003.

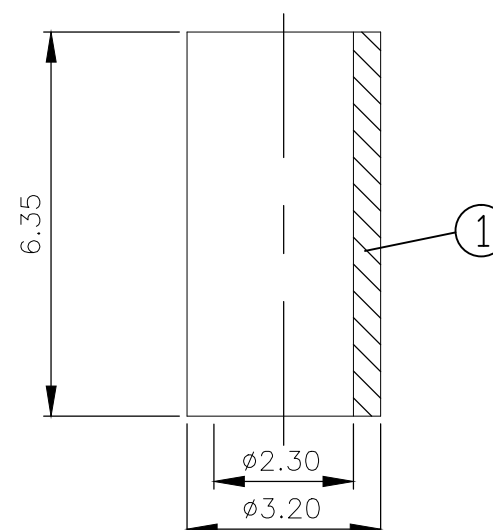
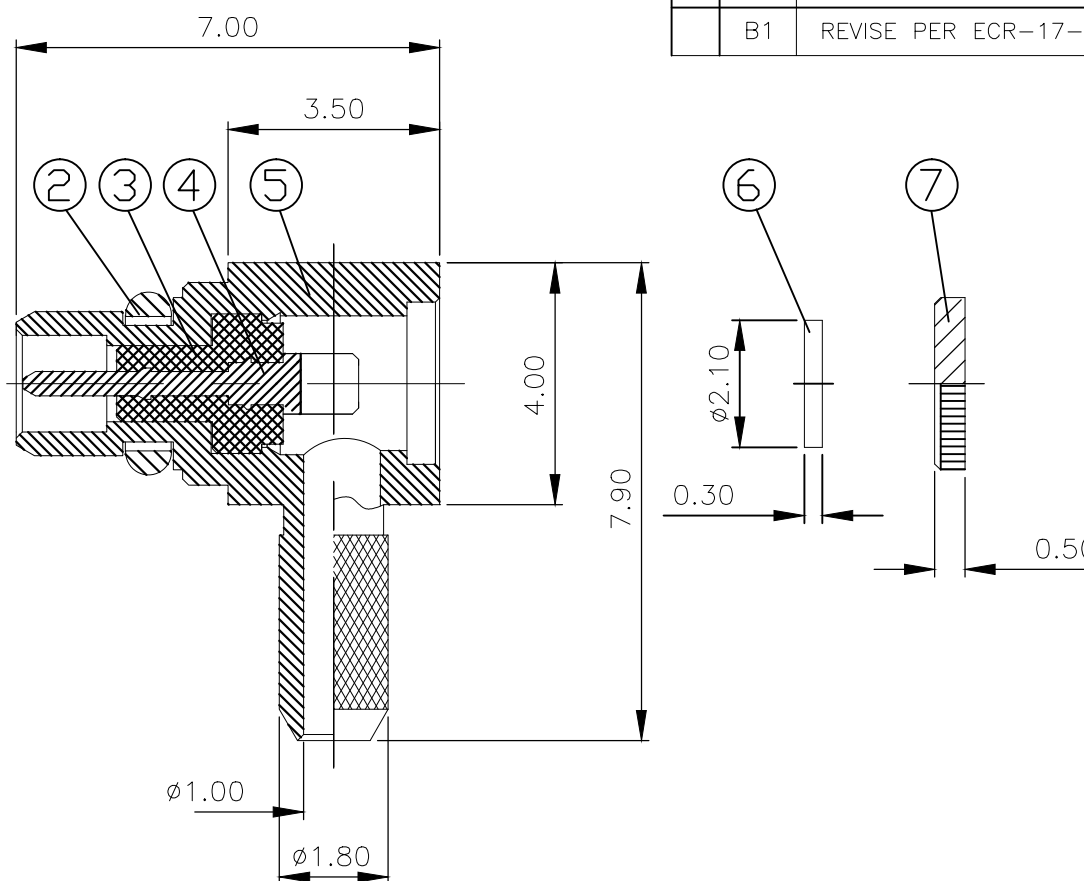
REVISIONS

© COPYRIGHT 2003 TE Connectivity

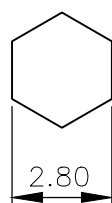
ALL RIGHTS RESERVED.

P	LTR	DESCRIPTION	DATE	DWN	APVD
	B1	REVISE PER ECR-17-007538	25MAY2017	BW	RS

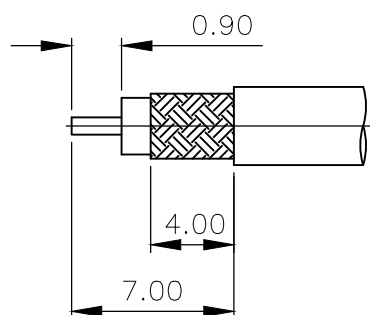
- 1 SINGLE PACK IN ACCORDANCE WITH SPEC 107-3275
- 2 100 TRAY PACK IN ACCORDANCE WITH SPEC 107-3275
- 3 0.76µm Au PLATING OVER 1.27µm Ni PLATING OVER 0.76µm Cu PLATING
- 4 0.08µm Au PLATING OVER 1.27µm Ni PLATING OVER 0.76µm Cu PLATING
- 5 HANDTOOL 9-1478240-0
- 6 DIE SET 9-1478248-0



RECOMMENDED CRIMP SLEEVE A/F HEX



RECOMMENDED CABLE STRIPPING DIM'S



QTY	QTY	MATERIAL	DESCRIPTION	ITEM
1	1	BRASS	ACCESS CAP	7
1	1	PTFE	INSULATOR	6
1	1	BRASS	BODY	5
1	1	BRASS	PIN	4
1	1	PTFE	INSULATOR	3
1	1	BERYLLIUM COPPER	RETAINING RING	2
1	1	BRASS	CRIMP SLEEVE	1
6--0	1--0	MATERIAL	DESCRIPTION	ITEM
2	1			

THIS DRAWING IS A CONTROLLED DOCUMENT.		DWN J.SANDWELL 12NOV03	<b>STE</b> TE Connectivity	
DIMENSIONS: mm		CHK S.PARLOW 12NOV03		
TOLERANCES UNLESS OTHERWISE SPECIFIED:		APVD F.WHEELER-KING 12NOV03	NAME MMCX ELBOW PLUG CRIMP RG178 50 OHMS	
0 PLC ± -		PRODUCT SPEC 108-3462	RESTRICTED TO	
1 PLC ± -		APPLICATION SPEC 411-3279	SIZE A3	CAGE CODE 00779
2 PLC ± -		WEIGHT 0.000000	DRAWING NO C-1634003	
3 PLC ± -		CUSTOMER DRAWING	SCALE NTS	SHEET 1 OF 1
4 PLC ± -			REV B1	
ANGLES ± -				
FINISH SEE TABLE				